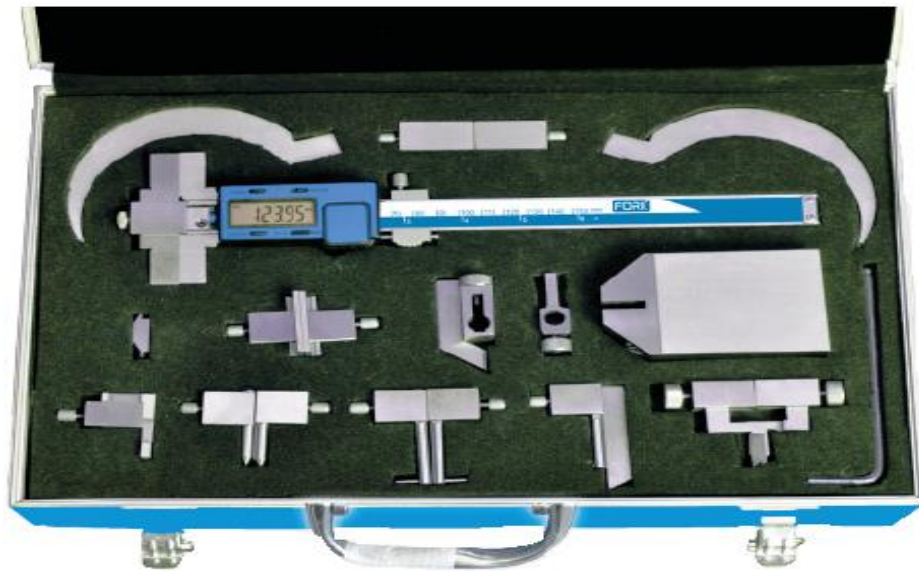


INSTRUCTION MANUAL FOR UNIVERSAL DIGITAL CALIPER (209-150)

➤ Specification

- ✓ This Universal Digital Caliper is design for a measure the inside, outside, center distance and for all this type of measurements.



➤ Features

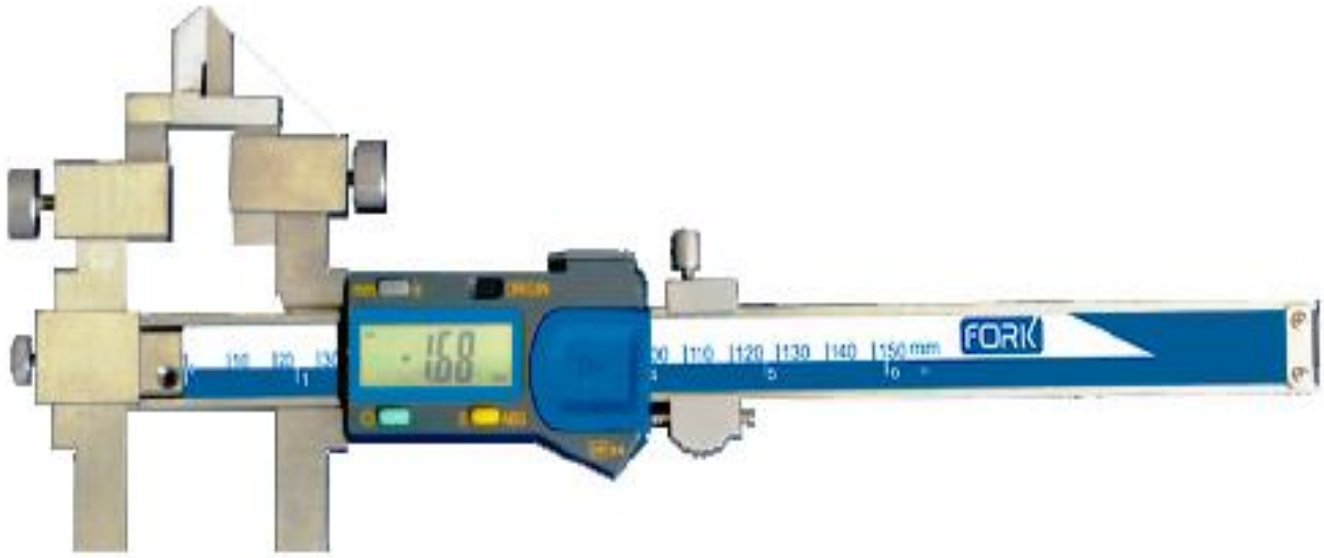
- ✓ Maid from stainless steel
- ✓ Accuracy according to DIN 862
- ✓ In this caliper we can exchange 11 type of Jaws
- ✓ All these Jaws can be easy assemble with Locking screw
- ✓ For different types of measurements
- ✓ So it can transform to different function caliper such as Height Gauges, Depth Gauges, Inside & Outside Groove Caliper, Centerline Caliper, Tube Thickness Caliper
- ✓ Quick start electronic quick lock function
- ✓ Zero setting at any position & mm/inch conversion.
- ✓ 1.5V battery
- ✓ Easy carry & Save cost

➤ Technical Specification

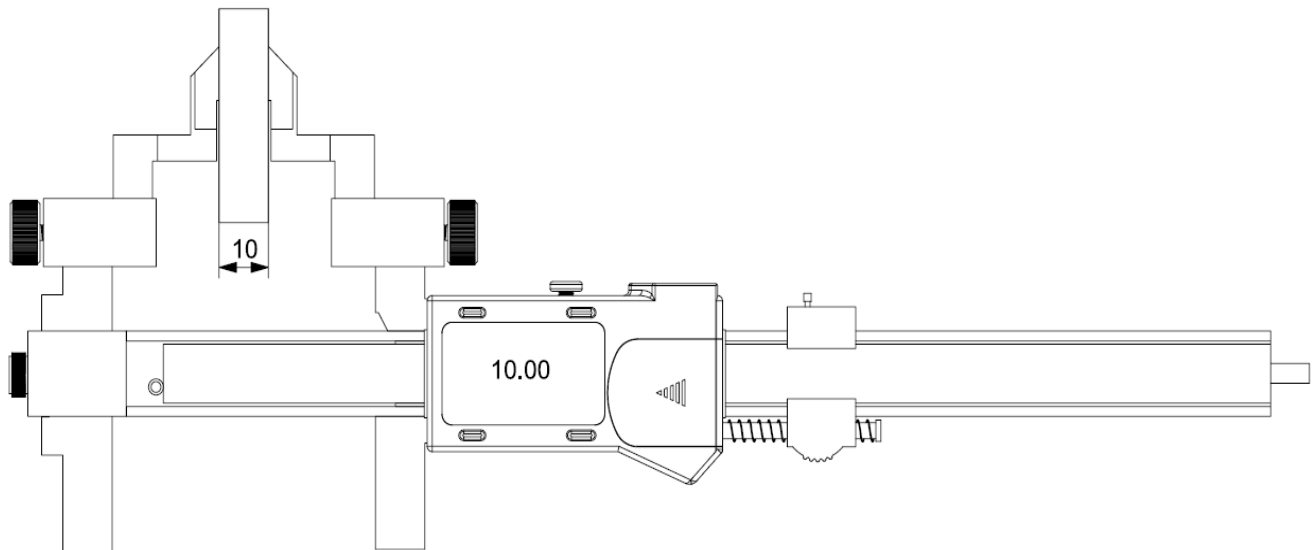
Code	Measuring Range		Jaw Length		Reading	
	mm	Inch	mm	Inch	mm	Inch
209-150	150 mm	8"	90 mm	3.5"	0.01 mm	0.0005"

INSTRUCTION MANUAL FOR UNIVERSAL DIGITAL CALIPER (209-150)

➤ External Digital Calipers (Outside Digital Calipers Electronic Calipers)



➤ Example

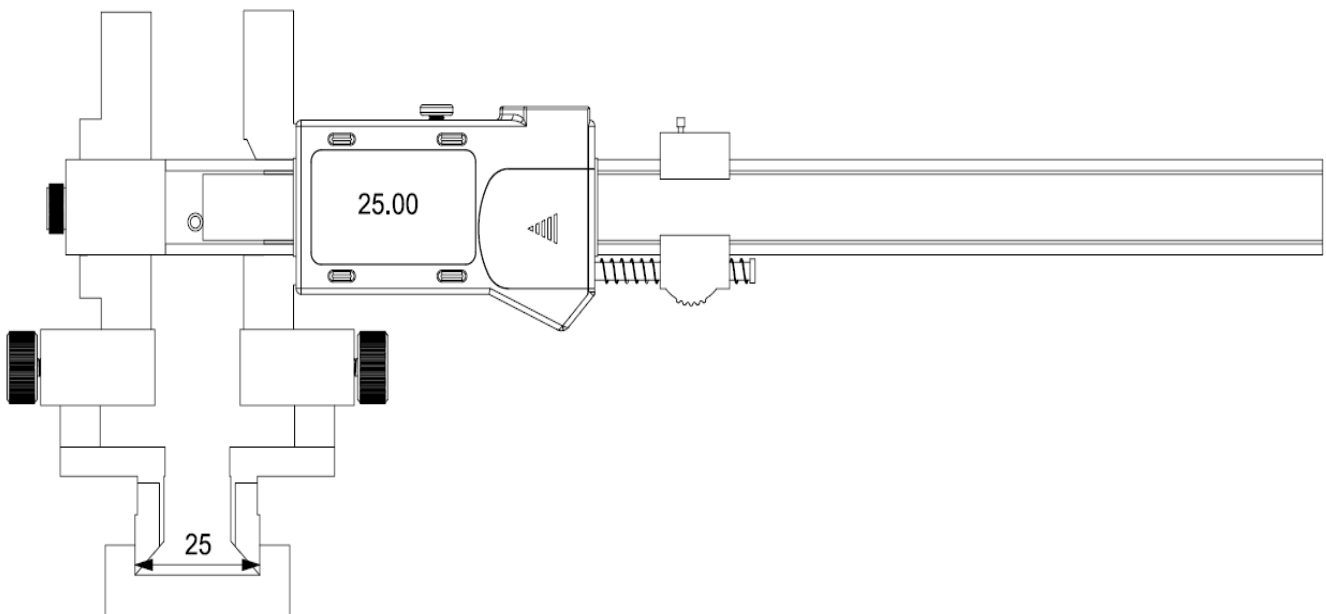


INSTRUCTION MANUAL FOR UNIVERSAL DIGITAL CALIPER (209-150)

➤ Internal Digital Calipers (Inside Digital Calipers Electronic Calipers)



➤ Example

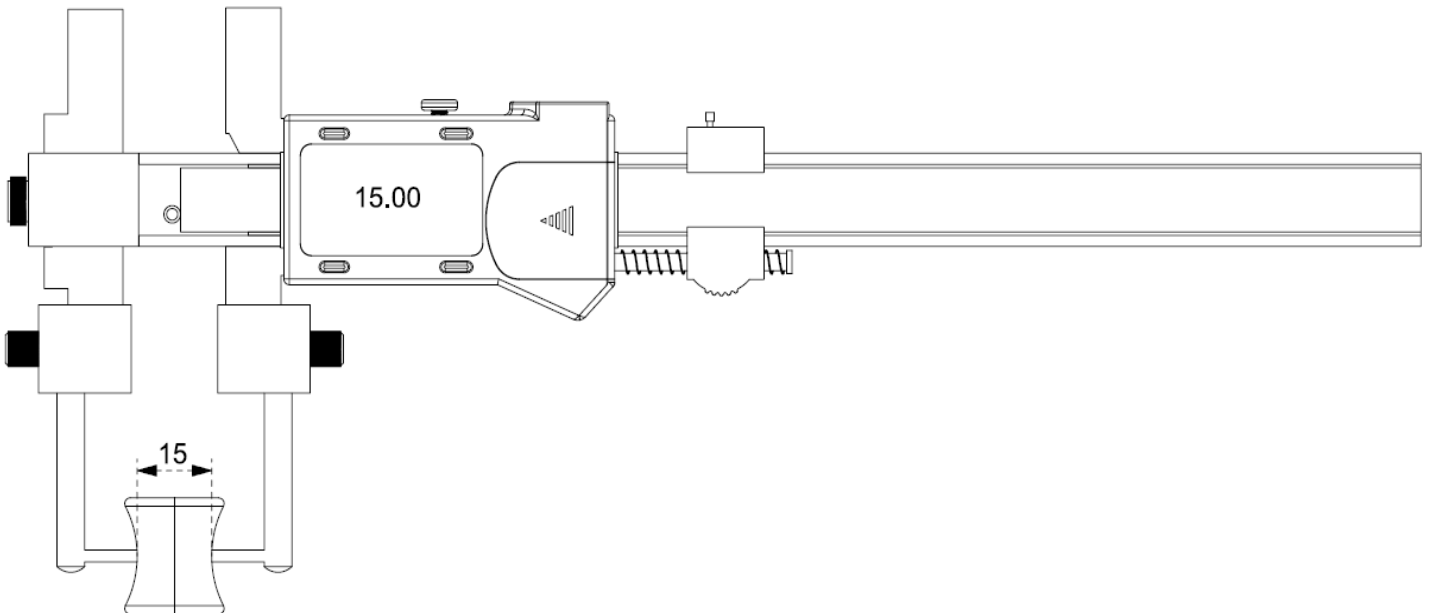


INSTRUCTION MANUAL FOR UNIVERSAL DIGITAL CALIPER (209-150)

➤ Outside Groove Calipers with Round Points



➤ Example

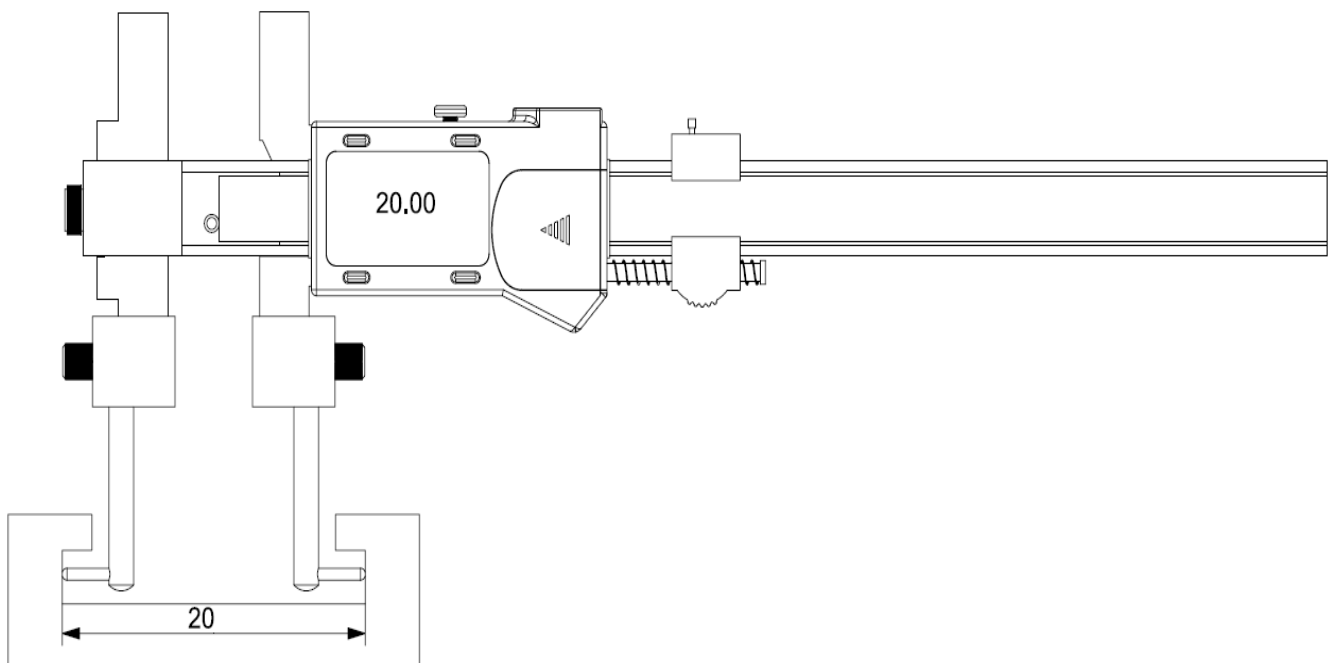


INSTRUCTION MANUAL FOR UNIVERSAL DIGITAL CALIPER (209-150)

➤ Inside Groove Calipers with Round Points



➤ Example

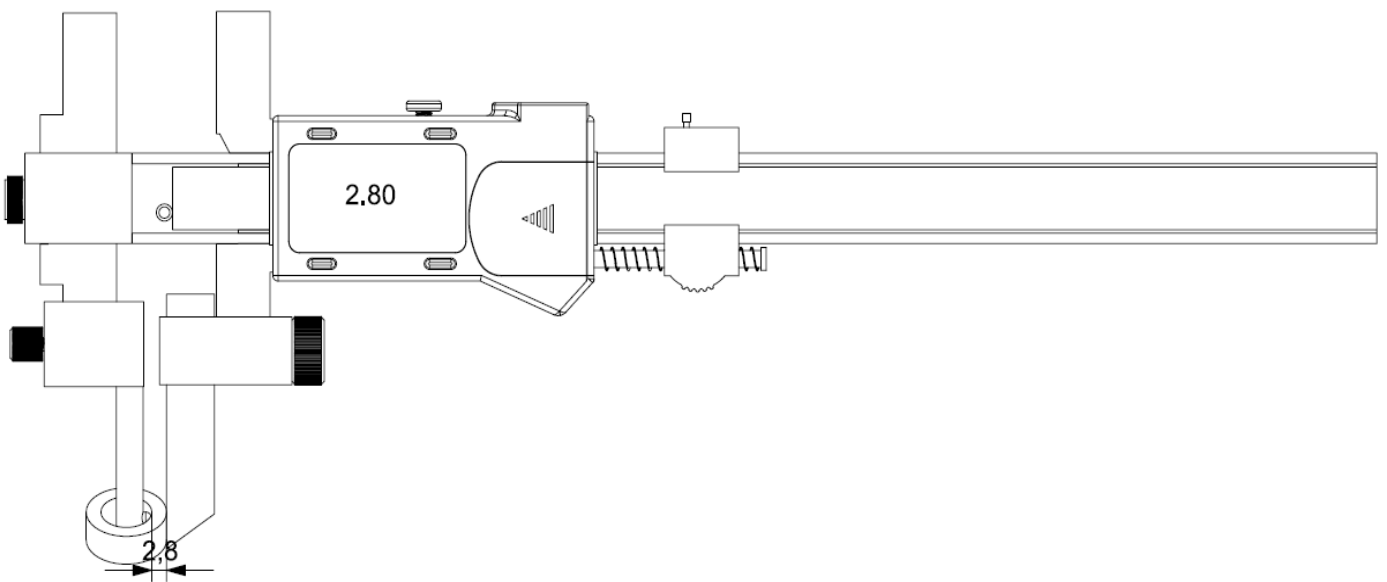


INSTRUCTION MANUAL FOR UNIVERSAL DIGITAL CALIPER (209-150)

➤ Tube Thickness Digital Calipers

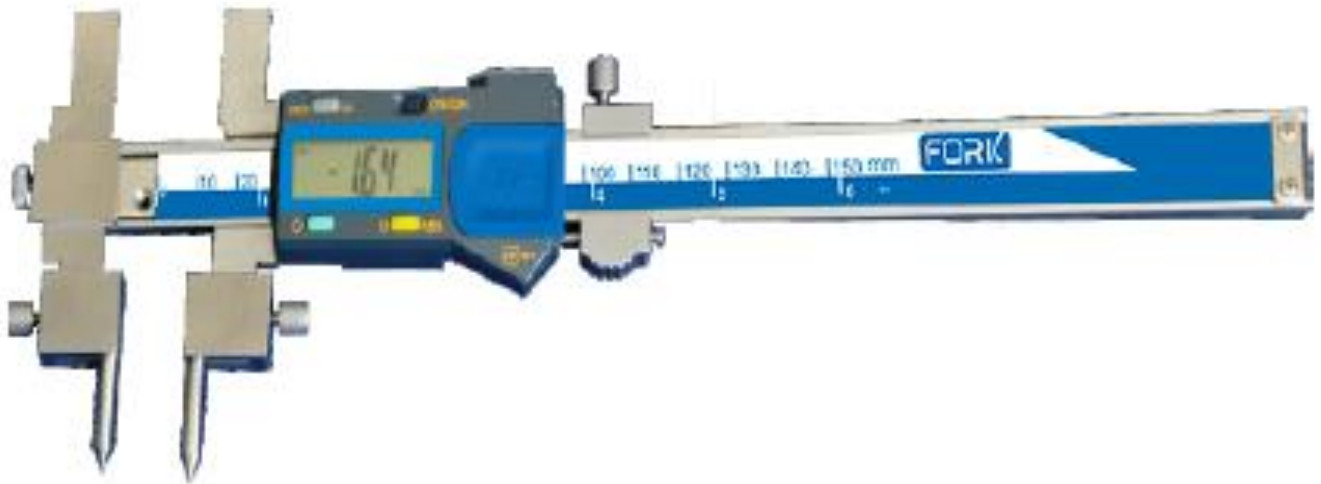


➤ Example

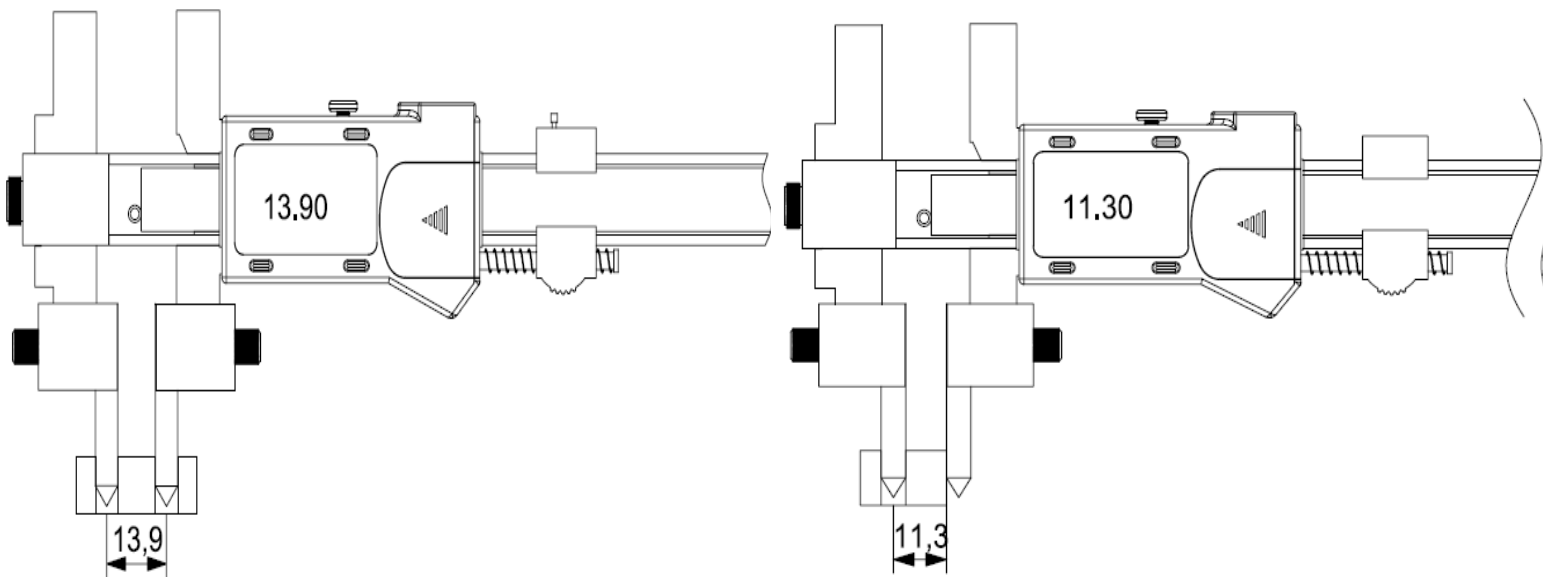


INSTRUCTION MANUAL FOR UNIVERSAL DIGITAL CALIPER (209-150)

➤ Centerline Digital Calipers



➤ Example

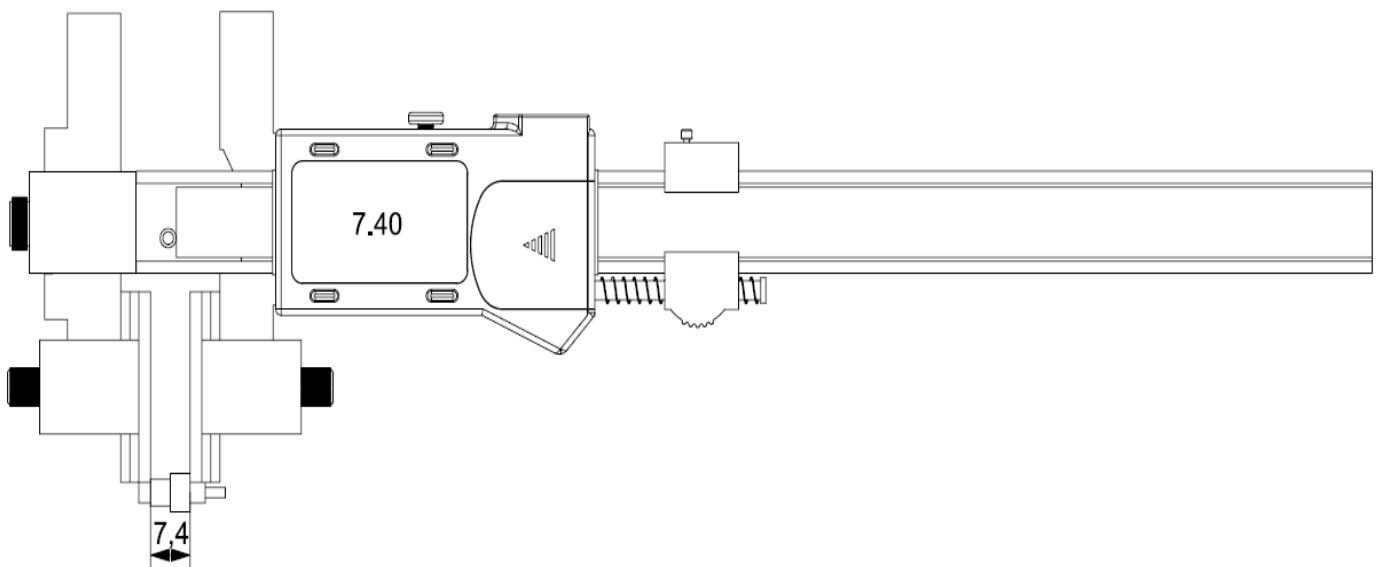


INSTRUCTION MANUAL FOR UNIVERSAL DIGITAL CALIPER (209-150)

➤ Digital Calipers with Broad Measuring Face



➤ Example

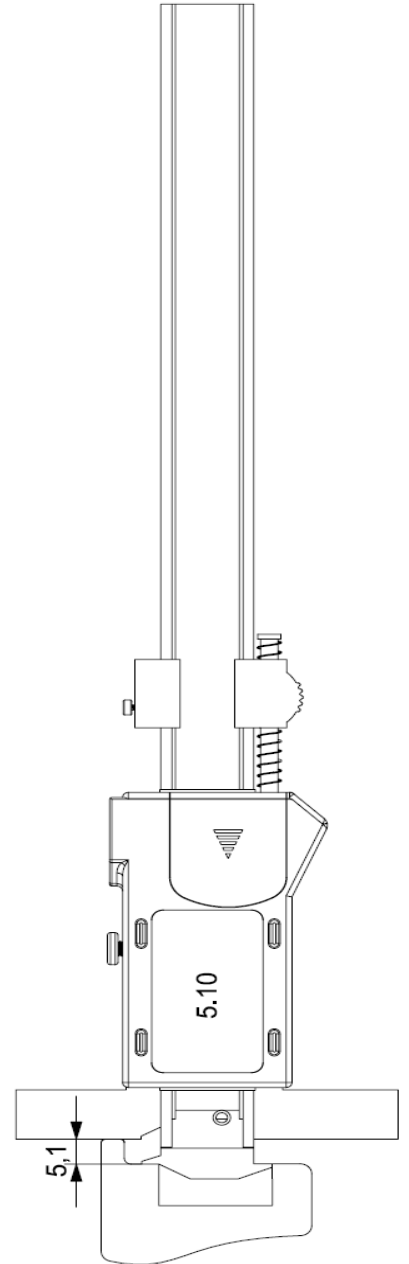
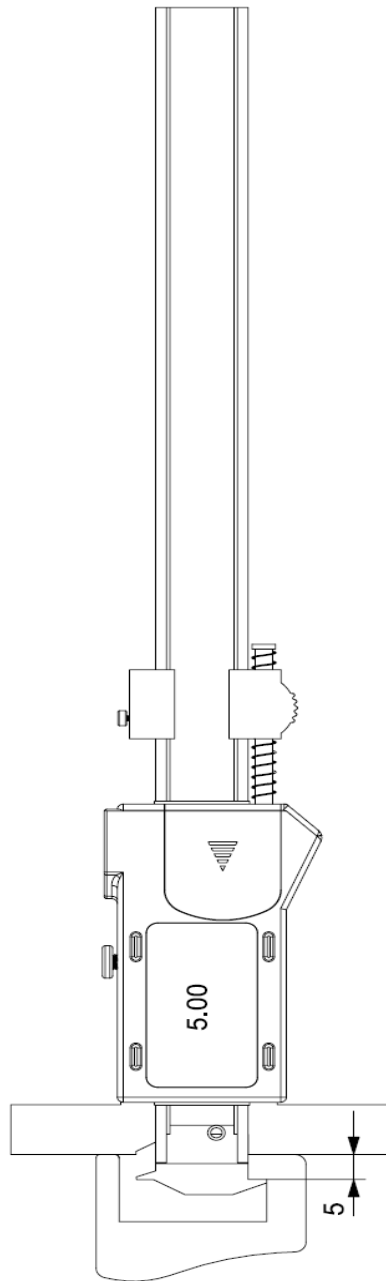


INSTRUCTION MANUAL FOR UNIVERSAL DIGITAL CALIPER (209-150)

➤ Depth Gauges



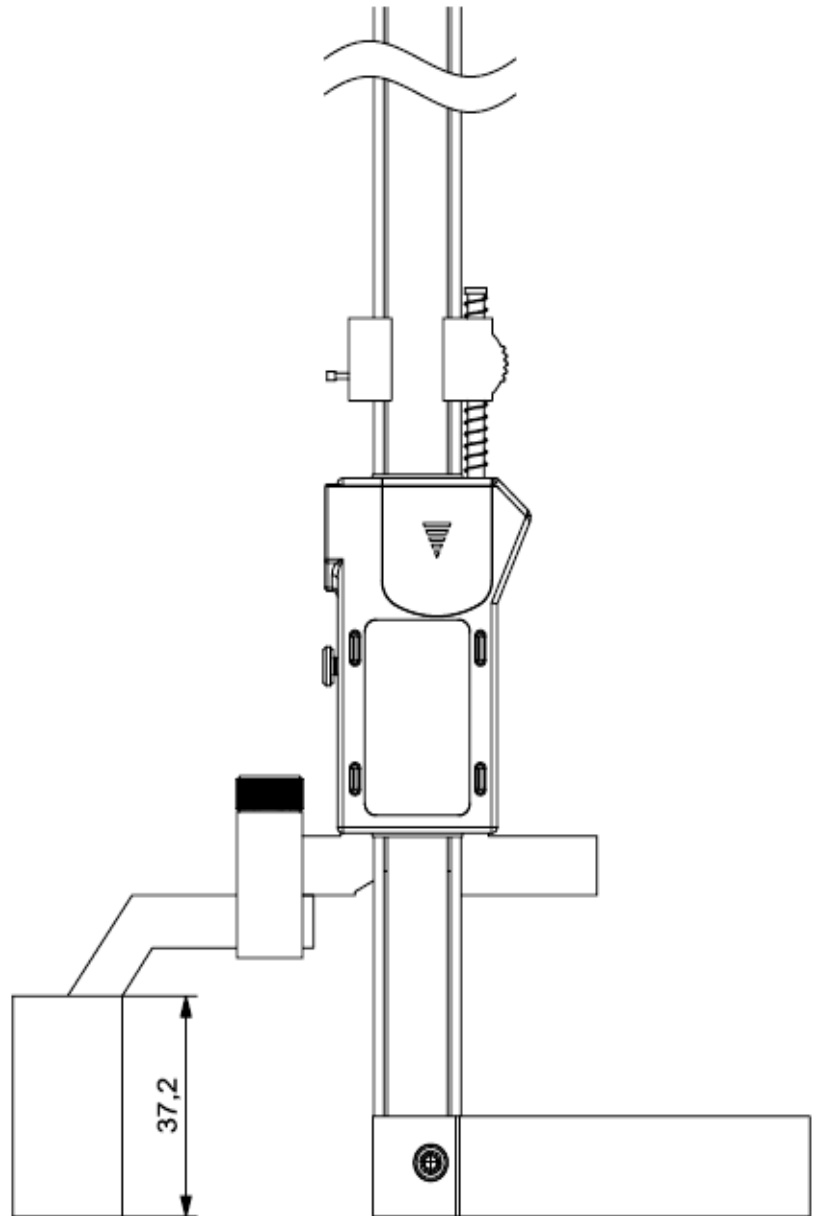
Example



INSTRUCTION MANUAL FOR UNIVERSAL DIGITAL CALIPER (209-150)

➤ Height Gauges

Example



INSTRUCTION MANUAL FOR UNIVERSAL DIGITAL CALIPER (209-150)

➤ Outside Groove Caliper



➤ Example

